

Abbattitori/congelatori
Blast chillers and freezers

BLAST CHILLERS/FREEZERS 28kg GN 1/1 CROSSWISE

PNC	Avv.	Model	Brand	Ref.	Page
110037	27/29	Crosswise 28 kg GN 1/1 Chiller 220-230\1\60hz	Zanussi	i	2 3
110202	00/02	Crosswise 32/28 kg GN 1/1 Freezer 60HZ	Zanussi	m	2 3
110242	00/00	Crosswise 28/35 kg GN 1/1 Chiller/Freezer	Zanussi	b	2 3
110718	31/34	Crosswise 28 kg GN 1/1 Chiller	Zanussi	e	2 3
110722	42/42	Crosswise 28/35 kg GN 1/1 Freezer	Zanussi	b	2 3
110833	00/00	Crosswise 28/35 kg GN 1/1 Freezer R452A	Zanussi	b	2 3
190900	00/00	Crosswise 28 kg GN 1/1 Chiller remote	Electrolux	r	2 3
190907	01/01	Crosswise 28 kg GN 1/1 Chiller remote	Electrolux	q	2 3
190B4T	00/00	Crosswise 28 kg GN 1/1 Chiller remote	Electrolux	j	2 3
190CSJ	00/00	Crosswise 28/35 kg 1/1 Freezer 60HZ R452A Marine	Electrolux	k	2 3
726622	32/35	Crosswise 28 kg GN 1/1 Chiller	Electrolux	d	2 3
726623	31/31	Crosswise 28 kg GN 1/1 Chiller remote	Electrolux	g	2 3
726629	44/44	Crosswise 28/35 kg GN 1/1 Freezer	Electrolux	a	2 3
727132	30/30	Crosswise 28/35 kg GN 1/1 Freezer 60HZ	Electrolux	o	2 3
727498	06/06	Crosswise 32/28 kg GN1/1 Freezer TK	Electrolux	l	2 3
727583	00/01	Crosswise 28 kg GN1/1 Chiller 60HZ CW	Electrolux	n	2 3
727587	00/01	Crosswise 32/28 kg GN1/1 Freezer 60HZ	Electrolux	p	2 3
727895	00/00	Crosswise 28/35 kg GN 1/1 Freezer R452A	Electrolux	a	2 3
727896	00/00	Crosswise 32/28 kg GN1/1 Freezer TK R452A	Electrolux	l	2 3
728211	32/34	Crosswise 28 kg GN 1/1 Chiller	Alpeninox	f	2 3
728215	43/43	Crosswise 28/35 kg GN 1/1 Freezer	Alpeninox	c	2 3
728822	02/04	Crosswise 28 kg GN 1/1 Chiller remote	Alpeninox	h	2 3
728960	00/00	Crosswise 28/35 kg GN 1/1 Freezer R452A	Alpeninox	c	2 3
880215		3 SINGLE-SENSOR PROBES-BL.C/FREEZERS LW		@	3 5

Note:per la corretta identificazione dei componenti, attenersi esclusivamente alle pagine indicate e alla lettera di riferimento.

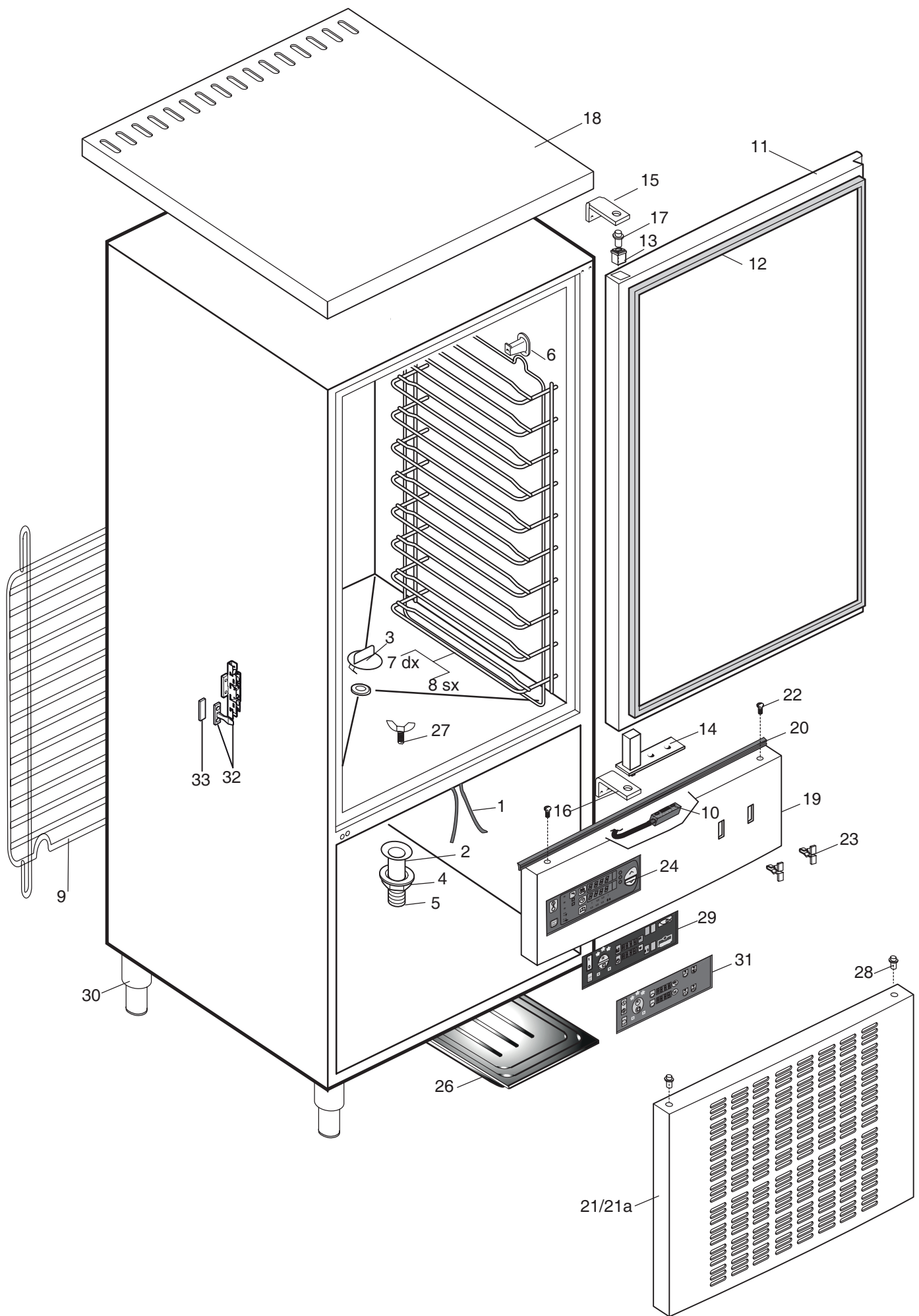
Note:for the correct identification of the components, follow the indicated pages and the reference letter

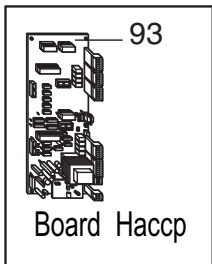
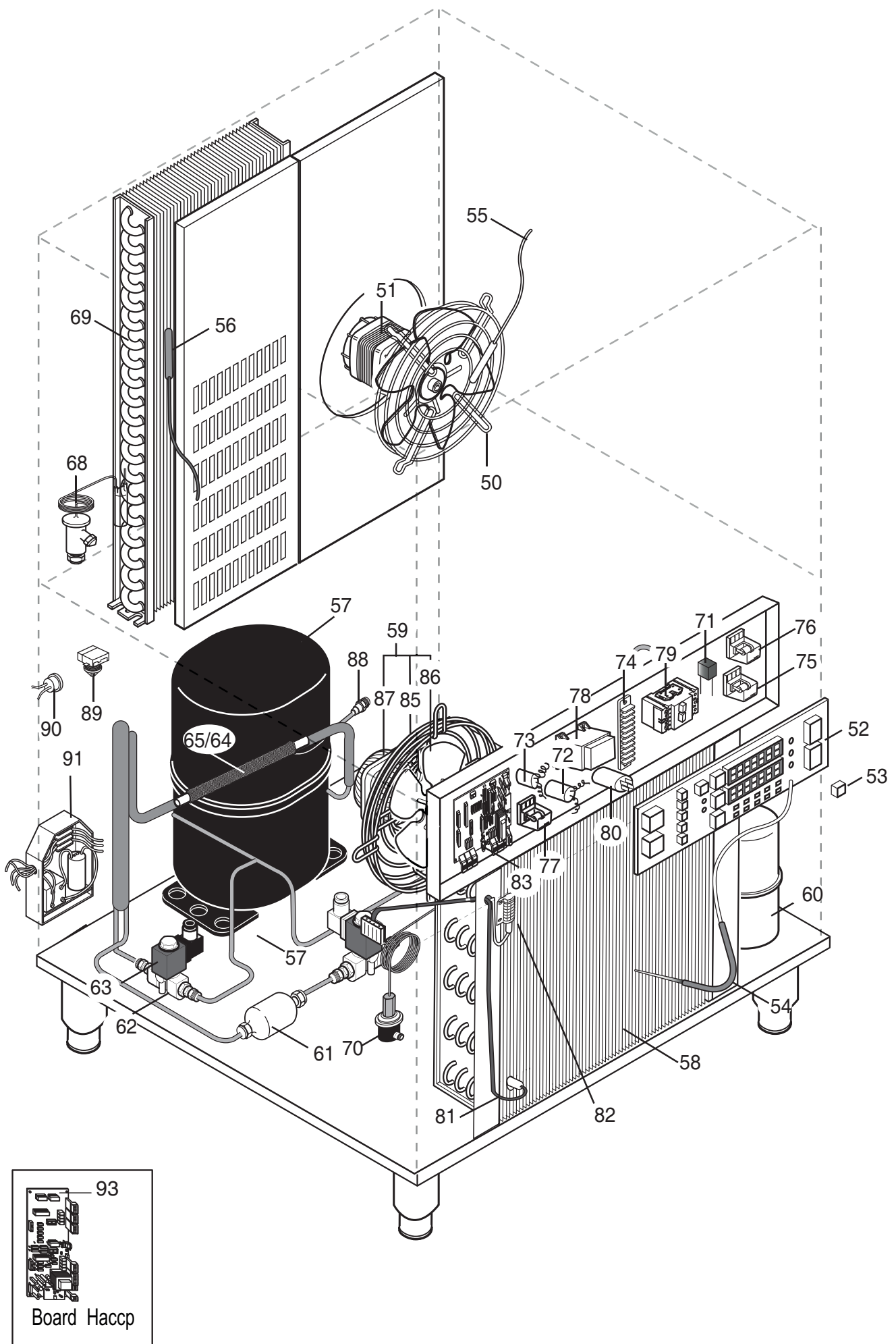
NOTE:

This document is available from serial N°~0360700...
update the relay(contactor) from serial n°11507003.

Pag.	Index	Indice	
2	Cabinet and door		Armadio e porta
3	Cooling unit assembly		Gruppo refrigerante
2	Control panel		Pannello comandi
4,5,6	Spare parts list		Lista ricambi

REV.9





Pos	Spare code	Descrizione	Description	Ref - Note
		Pagina 2	Page 2	
1	084724	Cavo riscaldante	Heating cable for frame	a,b,c,k,o
2	083591	Piletta	Discharge pipe	Up to 4281...
2	094255	Piletta	Discharge pipe	From 4291...
3	083886	Tappo	Plug	a,b,c,d,e,f,g,i,j up to 5360
3	093934	Tappo	Plug	a,b,c,d,e,f,g,i,j from 5371
4	083592	Controdado	Nut	Up to 4281...
4	094257	Controdado	Nut	From 4291...
5	083593	Porta gomma per piletta	Rubber support for pipe	Up to 4281...
5	094256	Porta gomma per piletta	Rubber support for pipe	From 4291...
6	083878	Supporto struttura	Shelf rack support	
7	088617	Telaio dx per teglie gn 1/1	Right support for gn 1/1	a,b,c,d,e,f,g,i,j,k,o,q,r
8	088618	Telaio sx per teglie gn 1/1	Left support for gn 1/1	a,b,c,d,e,f,g,i,j,k,o,q,r
9	088619	Chiusura posteriore	Back side grid	
10	088578	Sensore magnetico porta	Door switch	
11	085764	Porta	Door	a,b,c,d,e,f,g,i,j,k,o,q,r
12	083397	Guarnizione magnetica	Gasket door	a,b,c,d,e,f,g,i,j,k,o,q,r
13	083875	Boccola per porta	Door bush	
14	083876	Cerniera porta	Hinge door	
15	085754	Staffa superiore per porta	Upper bracket for door	
16	085755	Staffa inferiore per porta	Lower bracket for door	
17	0A9124	Perno per staffa superiore	Pin for upper bracket	
18	085759	Piano di appoggio (top)	Top	b,c,e,f,a,d,g,i,j,k,o,q,r
19	088621	Cruscotto comandi	Control panel	b,c,e,f,i,a,d,g,o,q,r Up 2019/48
19	096091	Cruscotto comandi	Control panel	b,c,e,f,i,a,d,g,j,k,o,q,r From 2019/49
20	088581	Coprifuga per cruscotto	Gasket for control panel	a,b,c,d,e,f,g,i,j,q
21	088622	Pannello condensatore	Condenser panel	
21a	092507	Pannello condensatore+saldature	Condenser panel+welding	
22	090008	Vite per cruscotto M5 x 12	Screw for control panel M5x12	
23	053342	Molla arresto marchio	Brand retaining plate clip	Up to 2019/48
24	091564	Membrana adesiva Elec. BCF con T.C	Sticker control electrolux BCF	a,o,l up to 2014/15..
24	094227	Membrana adesiva Elec. BCF con T.C	Sticker control electrolux BCF	a,o,l,p from 2014/16 Up to 2019/48
24	096088	Membrana adesiva Elec. BCF con T.C	Sticker control electrolux BCF	a,o,k,l,p from 2019/49
24	091565	Membrana adesiva Electrolux con T.C	Sticker control electrolux with T.C	d,g up to 2014/15..
24	094226	Membrana adesiva Electrolux con T.C	Sticker control electrolux with T.C	d,g,n,q,r from 2014/16 Up to 2019/48
24	096087	Membrana adesiva Electrolux con T.C	Sticker control electrolux with T.C	d,g,j,n,q,r from 2019/49
26	080803	Baccinella raccolta condensa nera	Black water condensation tray	
27	090008	Vite ad alette per struttura	Screw for support gn 1/1	
28	088338	Perno di riferimento	Pin	
29	091296	Membrana adesiva Zan con T.C bcf	Sticker control Zanussi with T.C bcf	b up to 2014/15..
29	094229	Membrana adesiva Zan con T.C bcf	Sticker control Zanussi with T.C bcf	b, m from 2014/16 Up to 2019/48

*T.C = turbo cooling

Pos	Spare code	Descrizione	Description	Ref - Note
29	096090	Membrana adesiva Zan con T.C bcf	Sticker control Zanussi with T.C bcf	b, m from 2019/49
29	091295	Membrana adesiva Zanbc con T.C	Sticker control Zanussi with T.C bc	e, i up to 2014/15..
29	094228	Membrana adesiva Zan bc con T.C	Sticker control Zanussi with T.C bc	e, i from 2014/16 Up to 2019/48
29	096089	Membrana adesiva Zan bc con T.C	Sticker control Zanussi with T.C bc	e, i from 2019/49
30	048579	Piedino	Foot	except k
30	092681	Piedino Marine	Marine foot	k
31	091567	Membrana adesiva Alpeninox + T.C	Sticker control Alpeninox with T.C bcf	c up to 2014/15..
31	094225	Membrana adesiva Alpeninox + T.C	Sticker control Alpeninox with T.C bcf	c from 2014/16 Up to 2019/48
31	096086	Membrana adesiva Alpeninox + T.C	Sticker control Alpeninox with T.C bcf	c from 2019/49
31	091568	Membrana adesiva Alpeninox bc+T.C	Sticker control Alpeninox bc with T.C	f up to 2014/15..
31	094224	Membrana adesiva Alpeninox bc+T.C	Sticker control Alpeninox bc with T.C	f from 2014/16 Up to 2019/48
31	096085	Membrana adesiva Alpeninox bc+T.C	Sticker control Alpeninox bc with T.C	f from 2019/49
32	088572	Assieme scrocco porta	Spring latch	k
33	096220	Distanziale per gancio scrocco	Spacer for door stopper	k
		Pagina 3	Page 3	
50	088623	Griglia per ventilatore cella	Protection fan cell	
51	088624	Ventilatore cella	Cell ventilator	
52	092700	Scheda pulsanti new co.tors	User board new co.tors	
53	002670	Prolunga pulsante	Switch extension	
54	092704	Spillone conico new co.tors	Food probe new co.tors	all
54	092705	Spillone conico new co.tors	Food probe new co.tors	q
55	092177	Sonda cella "blue"	Cell probe	
56	093531	Sonda Evapoatore grigia	Probe Evaporator grey	See TB_VTX2017_04
57	091665	Compressore THF248Z	Compressor THF248Z	a,b,c,m,p up to 2023/06
57	097620	Compressore FH2480Z-XG	Compressor FH2480Z-XG	a,b,c,m,p from 2023/07
57	092863	Compressore THF2480Z 60hz	Compressor THF2480Z 60 hz	k,o up to 2023/06
57	097621	Compressore FH2480Z-KZ 60hz	Compressor FH2480Z-KZ 60hz	k,o from 2023/07
57	083989	Compressore ermetico GS26TB	Ermetic compressor	d,e,f up to 2012/23
57	093454	Compress. embraco nj6220z 230v/50hz	Compressor nj6220z 230v/50hz	d,e,f, from 2012/24
*	095167	Scatola compl.compon.elettrici x nj6220z	Box electrical components x nj6220z	d,e,f
57	099655	Compressore ermetico GS26 TG 60 hz	Ermetic compressor 60 hz	i
58	088625	Condensatore (freezer)	Condenser (freezer)	a,b,c,k,o
58	088626	Condensatore (chiller)	Condenser (chiller)	d,e,f,i
59	088350	Ass. ventilatore condensatore	Motor ventilator for condenser	a,b,c,l,m,o,p up to 6401
59	094830	Ass. ventilatore condensatore	Motor ventilator for condenser	a,b,c,k,l,m,o,p from 6411
60	083403	Ricevitore di liquido	Liquid tank	a,b,c,k,o
60	083387	Ricevitore di liquido	Liquid tank	d,e,f,i
61	087438	Filtro deidratatore	Deidrotator filter	a,b,c,k,o
61	088201	Filtro deidratatore	Deidrotator filter	d,e,f,i
62	084085	Corpo valvola solenoide (freezer)	Solenoid valve (freezer)	a,b,c,k,o
62	088030	Corpo valvola solenoide (chiller)	Solenoid valve (chiller)	d,e,f,i

*T.C = turbo cooling

Pos	Spare code	Descrizione	Description	Ref - Note
63	088351	Bobina per valvola solenoide (freezer)	Coil for solenoid valve (freezer)	a,b,c,k,o
63	085847	Bobina per valvola solenoide (chiller)	Coil for solenoid valve (chiller)	d,e,f up to 6201 n up to 2020/26 i always
63	095063	Bobina per valv. solenoide (chiller)	Coil for solenoid valve (chiller)	d,e,f from 6211 n from 2020/27
64	088480	Giunto antivibrante Ø 16mm	Vibration-damping joint Ø 16mm	a,b,c
65	088479	Giunto antivibrante Ø 12mm	Vibration-damping joint Ø 12mm	a,b,c
68	088475	Valvola termostatica Danfoss (freezer)	Thermostatic valve (freezer)	a,b,c,k,o
68	091697	Valvola termostatica Sporlan (chiller)	Thermostatic valve (chiller)	e,g,h,i,n up to 6201 d,f
68	094937	Valvola termostatica (chiller)	Thermostatic valve (chiller)	e,g,h,i,n from 6211
68	646R19900	Valvola termostatica (chiller)R449A	Thermostatic valve (chiller) R449A	q,r
68	646R23400	Valvola termostatica (chiller) R452A	Thermostatic valve (chiller) R452A	j
69	088627	Evaporatore	Evaporator	
70	085088	Pressostato alta pressione	Pressure switch for high pressure	a,b,c,k,o Order KIT 097774
71	088628	Filtro elettrico per bobina	Electric filter for coil	a,b,c,k,o
72	083406	Condensatore elettrico 5m/f vent.cella	Capacitor for cell ventilator 5m/f	
73	084721	Condensatore elettrico 4m/f vent.cond.	Capacitor for cell vent.4m/f	a,b,c,o,p up to 6401
73	094620	Condensatore elettrico 3m/f vent.cond.	Capacitor for cell vent.3m/f	a,b,c,o,p up to 6411
74	082171	Morsettiera	Clamp	
75	088267	Rele`RP (omrom)	Relay RP (omrom)	d,e,f,g,i up to 11507002
75	088557	Teleruttore RP	Contactore RP	d,e,f,g,i,j from11507003
75	088197	Rele`RA 62.83.8.230	Relay RA	a,b,c,g,j,k,o,q,r
76	083215	Rele` di sbrinamento 60.62.8.230	Relay for open coil defrost	a,b,c,k,o
77	056510	Rele` per bobina valvola solenoide RG	Relay for open coil RG 60.63.8.024	
78	087662	Trasformatore 230/24V	Voltage adaptor	
79	091706	Interuttore salvamotore 6.3 a	Safety switch for compressor	a,b,c,k,o
80	084987	Filtro elettrico	Electric filter	
81	088345	Sonda ambiente/condensatore	Room/condenser probe	
82	088602	Gabbia per bulbo sonda ambiente	Protection for room probe	
83	093158	Scheda principale BCF	Main board (param.map on web site)	
85	087996	Griglia per ventilatore condensatore	Protection fan condenser	d,e,f,i
86	087997	Ventola condensatore	Fan condenser	e,i,n up to 6201 - d,f
86	094036	Ventola condensatore	Fan condenser	e,i,n from 6211
87	088013	Ventilatore condensatore	Motor ventilator for condenser	e,i,n up to 6201 - d,f
87	094575	Ventilatore condensatore	Motor ventilator for condenser	e,i,n from 6211
88	0A9459	Valvola di ricarica compressore	Discharge/charge valve for compressor	d,e,f,i
89	112405	Rele` per compressore	Relay for compressor	d,e,f
90	083998	Protettore per compressore	Overload protector	d,e,f
91	082640	Condensatore di spunto/marcia	Start/running condenser	d,e,f
93	088570	Scheda haccp	Haccp bord	
*	088477	Contattore	Swieth	b,a,c,p
*	099090	Contattore	Swieth	k,o

*T.C = turbo cooling